



ambition

rimless metal 5 base

a635, a636, a637, a638, a639,
a640, a641, a642, a643 3-pcs. mounting,
clip-on a525

support your vision — adidas.com/eyewear

ambition

a635, a636, a637, a638
a639, a640, a641, a642



a635



a636



a637



a638



a639



a640



a641



a642

5 base

NEW 8 new adult shapes for sport minded individuals who want to show their attitude in business as well as in leisure time

NEW Hybrid Memory Hinge™ for automatic and exceptionally comfortable fit

NEW highly valuable, metallic-like logopart

NEW Performance Steel™ inlay

NEW temples can be shortened easily

NEW also wearable as sunglasses (with tinted lenses)

temples made of our patented lightweight and comfortable material SPX™

straight temples for a sporty looking design

SPX™ temples adjustable to different head shapes

frame comes in its own hardcase incl. adidas cleaning cloth

NEU 8 neue Brillenformen für Erwachsene, die Ihre sportliche Haltung gern im Geschäftsleben sowie in der Freizeit zum Ausdruck bringen möchten

NEU Hybrid Memory Hinge™ für besonders komfortablen Sitz

NEU hochwertiges, metallisch anmutendes Logo

NEU Performance Steel™ Bügeleinlage

NEU Bügel lassen sich leicht verkürzen

NEU auch tragbar als Sonnenbrille (mit getönten Gläsern)

Bügel gefertigt aus unserem patentierten, leichten und komfortablen Material SPX™

gerade Bügel für ein sportliches Design

SPX™ Bügel für verschiedene Kopfformen anpassbar

Rahmen wird in eigenem Brillenetui mit adidas Reinigungstuch geliefert

NOUVEAU 8 nouveaux modèles pour adultes, dédiés aux adeptes de sport qui désirent afficher leur état d'esprit au travail et dans leurs loisirs

NOUVEAU Hybrid Memory Hinge™ s'adaptant automatiquement pour offrir un ajustement exceptionnellement confortable

NOUVEAU logo d'aspect métallique de grande qualité

NOUVEAU branche armée en Performance Steel™

NOUVEAU branches facilement raccourçissables

NOUVEAU utilisables également comme lunettes de soleil (avec verres teintés)

NOUVEAU branches en SPX™, notre matériau breveté ultraléger et confortable

branches droites pour un look sportif

branches en SPX™ ajustables aux différentes anatomies

Les montures sont livrées avec un étui rigide ainsi qu'une chamoisine adidas



a635 50 6054
black/black



a636 60 6056
ruthenium/grey



a637 40 6052
mud



a638 50 6055
black/white



a639 40 6051
ivory/mint



a640 00 6050
rhodium/lime



a641 40 6053
chocolate/chocolate



a642 60 6057
ruthenium/blue

General glazing information:

- Lensformers in 2-3 sizes available
- 3pcs mount a643 is available (only for producing 5 base frames)
- Glazing limit max. 6,5mm lens thickness

Allgemeine Verglasungsinformation:

- Formscheiben in 2-3 Größen erhältlich
- Garnitur a643 erhältlich; bitte diese Garnitur nur zum Fertigen von 5 base Brillen verwenden
- Verglasungslimit: maximal 6,5 mm Glasstärke

Informations générales sur le montage:

- Un modèle de verre est disponible en 2-3 tailles
- Le montage en 3 pièces a643 est disponible (seulement pour la production de montures base 5)
- Mise à la vue: épaisseur des verres: 6,5 mm maximum

Options for adjusting the eyewear to individual wearers:

Inclination

- Make sure to fix the lens in the temporal area before inclination
- Inclination metal hinge (note: only use parallel action pliers with plastic jaws) (see figure 1)

Temples

- Marks on the inside of the temples (5 mm spacing) make it easier to shorten the temples (see figure 2-7)
- The temples can be adjusted to the shape of the head and ears (see figure 8-9) (without heating)
- Temples are available as spare parts

Individuelle Anpassungsmöglichkeiten der Brille an den Träger:

Inklination

- Temporales Glasbefestigung fixieren
- Inklinierbares Metallscharnier (Achtung: nur mit einer Haltezange mit Kunststoffbacken, in paralleler Maulstellung, inklinieren) (siehe Abbildung 1)

Bügel

- Markierungen an der Bügelinnenseite (Abstände 5 mm) vereinfachen das Kürzen des Bügels (siehe Abbildungen 2-7)
- Bügel an Kopfform und Ohrkontur anpassbar (siehe Abbildungen 8-9) (ohne Anwärmen)
- Bügel als Ersatzteil erhältlich

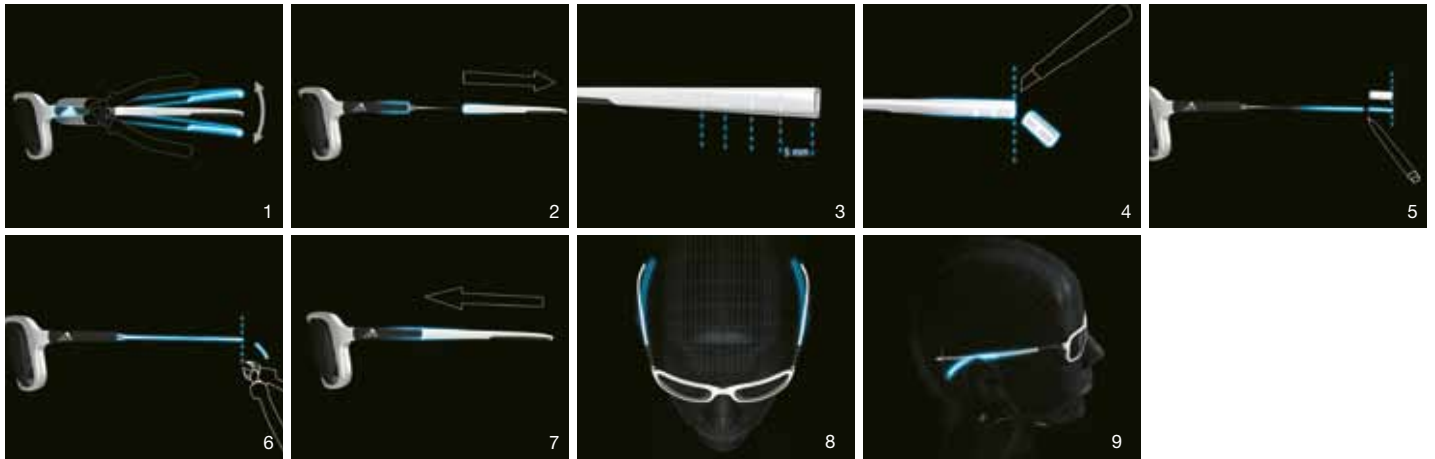
Options de réglage personnalisés des lunettes:

Inclinaison

- Assurez-vous de bien fixer le verre au niveau de la charnière avant de rabattre les branches
- Charnière métallique inclinable (attention: utilisez uniquement des pinces parallèles à mâchoires en plastique) (voir figure 1)

Branches

- Les Branches peuvent être facilement raccourcies grâce aux marques espacées de 5 mm sur leur face interne. (voir figure 2-7)
- Les branches peuvent être adaptées à la morphologie (tête et oreilles) (voir figure 8-9)
- Des branches de rechange peuvent être fournies



3-pcs. mounting
3-teilige Garnitur
montage en 3 pièces

a643

| | | | | |
|--|----|-----|-----|-----|
| | mm | - | - | - |
| | mm | - | - | - |
| | mm | 18 | 18 | 20 |
| | mm | 140 | 150 | 150 |

spare temple in 140 and 150 mm available

colours



a643 50 6054
black/black

a643 60 6056
ruthenium/grey

a643 40 6052
mud

a643 50 6055
black/white

a643 40 6051
ivory/mint






a643 00 6050
rhodium/lime

a643 40 6053
chocolate/chocolate

a643 60 6057
ruthenium/blue

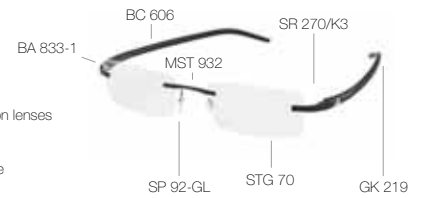


a635 50 6054 black/black

| | small (lens former only) | large |
|---|---------------------------------|---------------------------------|
|  mm | 51 x 28 (1314 mm ²) | 53 x 29 (1419 mm ²) |
|  mm | 55 | 57 |
|  mm | | 20 |
|  mm | | 150 |
|  ° | | 2 x 8 |

spare parts a635

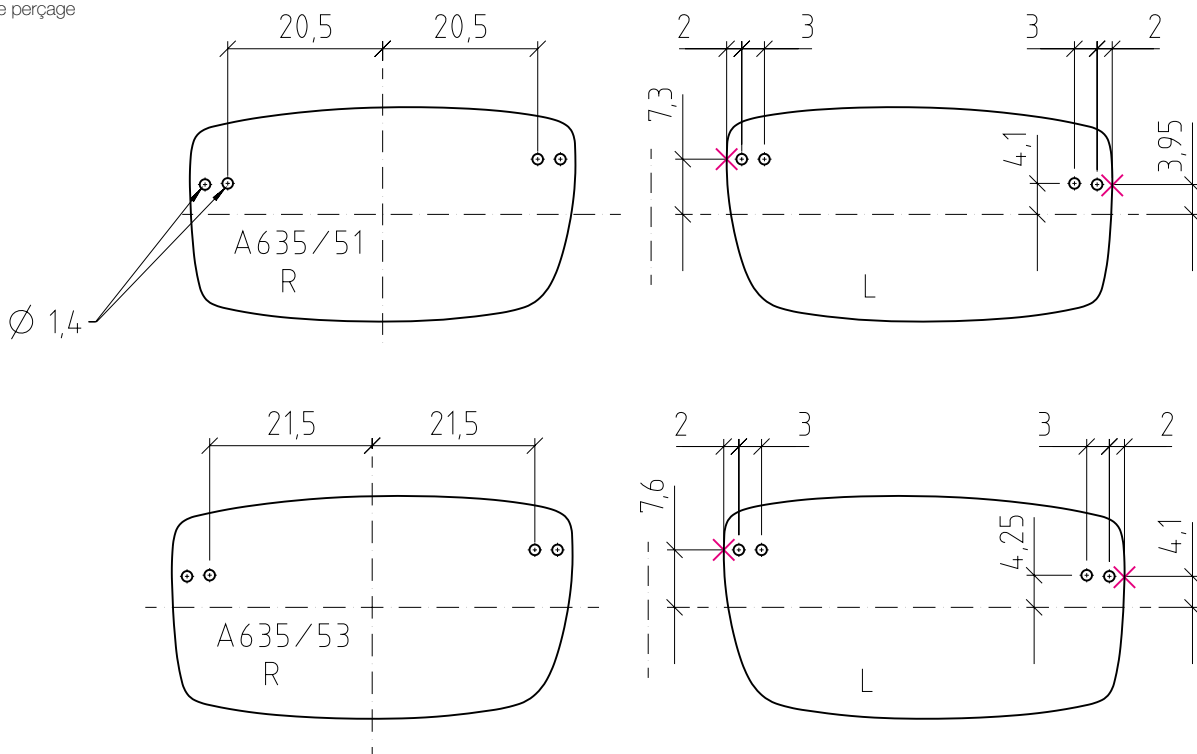
- BC 606 temple
- GK 219 temple tips
- SR 270/K3 temple joint screw
- SP 92-GL nose pads
- STG 70 showing lens 5 base
- BLS 58 glazing pins for prescription lenses
- MST 932 metal nose part
- PL 13 adidas cleaning cloth
- SHE 215 Hardcase ambition 5 base
- FK 78-3 box
- BA 833-1 lug



clip-on available (both sizes)
a525 00 a635 grey-green polarized






polarized

drilling coordinates
Bohrkoordinaten
cotes de perçage



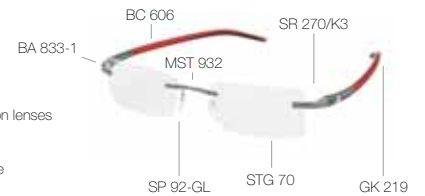


a636 60 6056 ruthenium/grey

| | small (lens former only) | large |
|---|---------------------------------|---------------------------------|
|  mm | 50 x 29 (1327 mm ²) | 52 x 32 (1435 mm ²) |
|  mm | 55 | 57 |
|  mm | | 20 |
|  mm | | 150 |
|  ° | | 2 x 8 |

spare parts a636

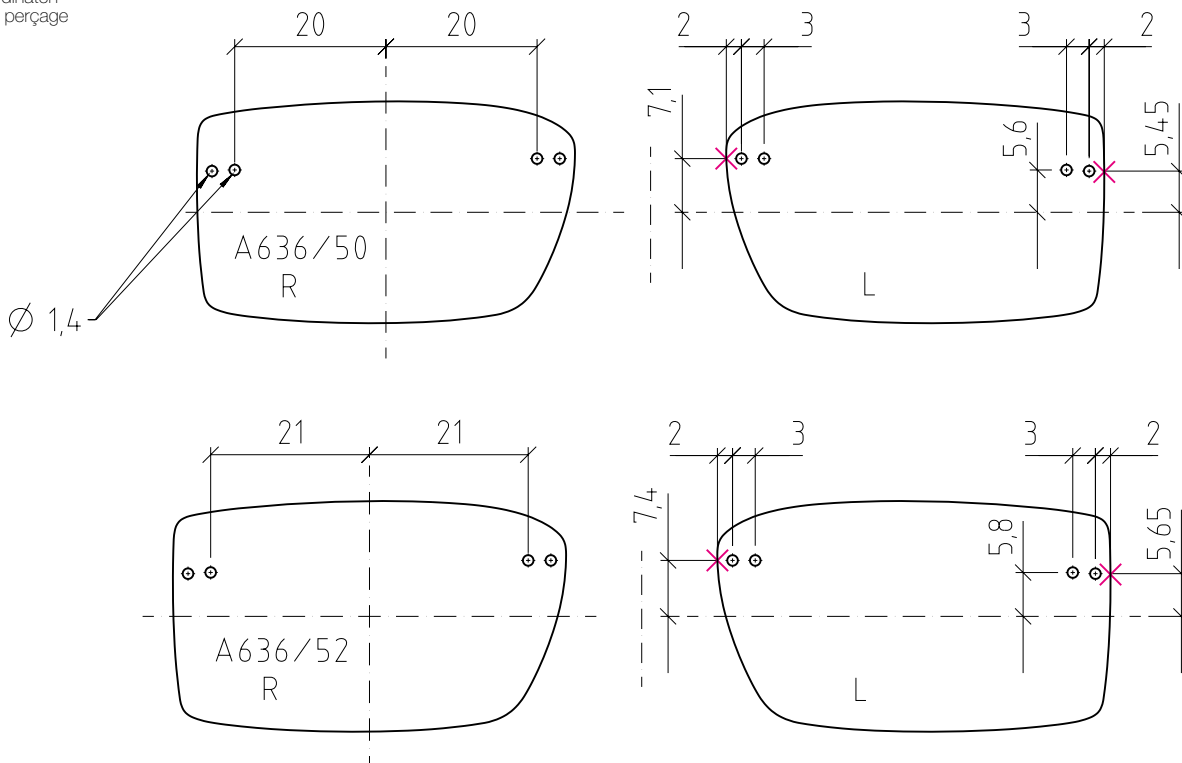
- BC 606 temple
- GK 219 temple tips
- SR 270/K3 temple joint screw
- SP 92-GL nose pads
- STG 70 showing lens 5 base
- BLS 58 glazing pins for prescription lenses
- MST 932 metal nose part
- PL 13 adidas cleaning cloth
- SHE 215 Hardcase ambition 5 base
- FK 78-3 box
- BA 833-1 lug



clip-on available (both sizes)
a525 00 a636 grey-green polarized






polarized

drilling coordinates
Bohrkoordinaten
cotes de perçage





a637 40 6052 mud

| | small | large (lens former only) |
|---|------------------------------------|---------------------------------|
|  | mm 51 x 30 (1338 mm ²) | 53 x 31 (1445 mm ²) |
|  | mm 53 | 56 |
|  | mm 18 | |
|  | mm 140 | |
|  | ° 2 x 8 | |

spare parts a637

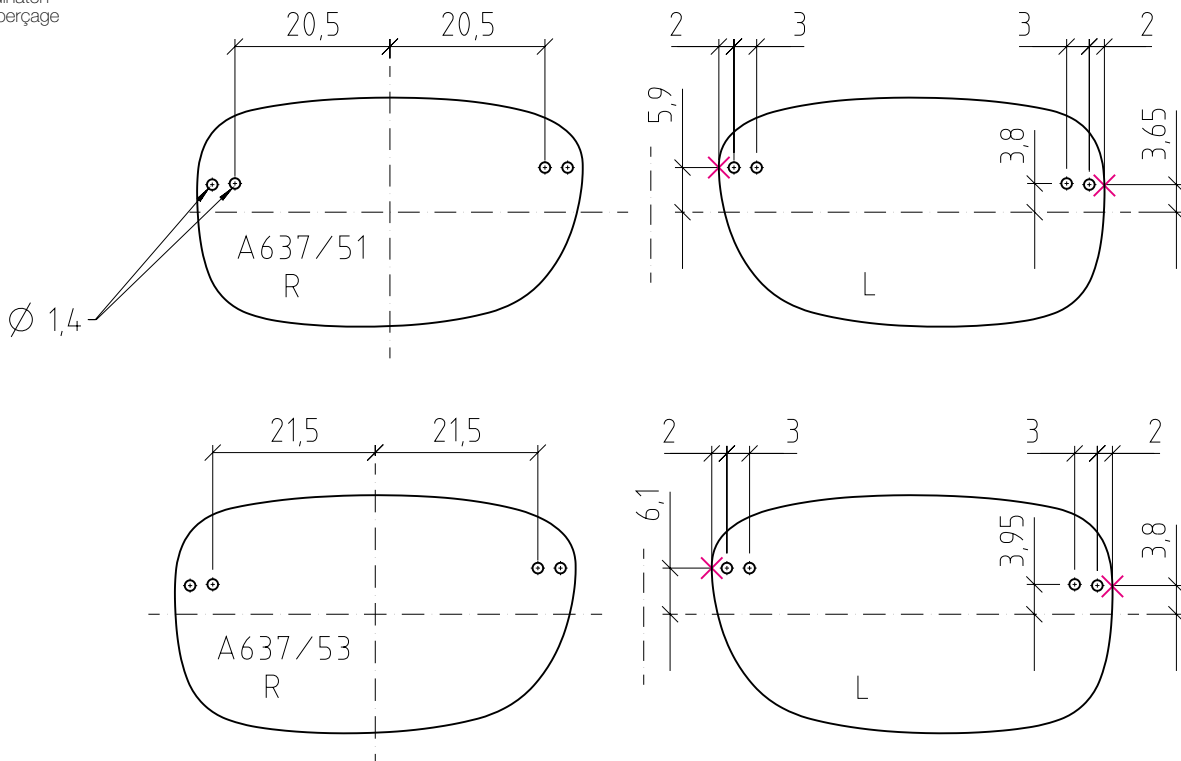
- BC 606 temple
- GK 219 temple tips
- SR 270/K3 temple joint screw
- SP 92-GL nose pads
- STG 70 showing lens 5 base
- BLS 58 glazing pins for prescription lenses
- MST 932 metal nose part
- PL 13 adidas cleaning cloth
- SHE 215 Hardcase ambition 5 base
- FK 78-3 box
- BA 833-1 lug



clip-on available (both sizes)
a525 00 a637 grey-green polarized

polarized

drilling coordinates
Bohrkoordinaten
cotes de perçage





a638 50 6055 black/white

| | small (lens former only) | medium | large (lens former only) |
|----|---------------------------------|---------------------------------|---------------------------------|
| mm | 50 x 29 (1271 mm ²) | 52 x 30 (1374 mm ²) | 54 x 31 (1482 mm ²) |
| mm | 53 | 55 | 57 |
| mm | | 20 | |
| mm | | 150 | |
| ° | | 2 x 8 | |

spare parts a638

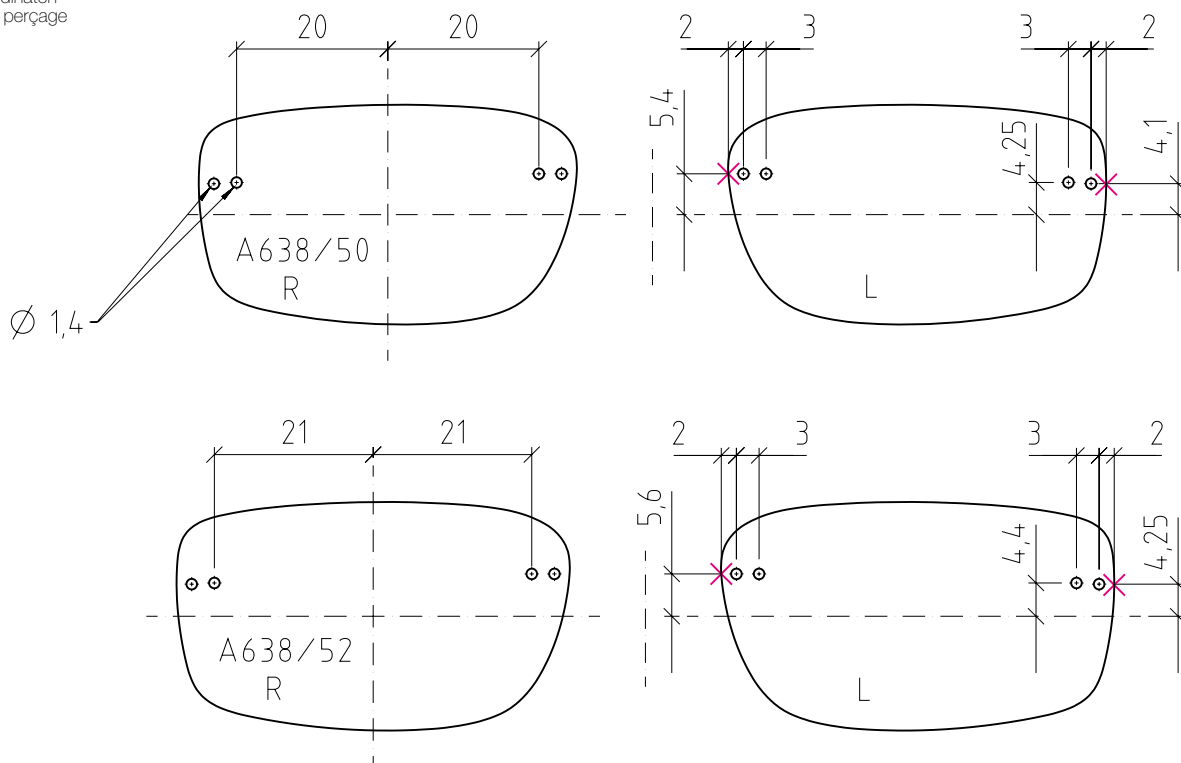
- BC 606 temple
- GK 219 temple tips
- SR 270/K3 temple joint screw
- SP 92-GL nose pads
- STG 70 showing lens 5 base
- BLS 58 glazing pins for prescription lenses
- MST 932 metal nose part
- PL 13 adidas cleaning cloth
- SHE 215 Hardcase ambition 5 base
- FK 78-3 box
- BA 833-1 lug



clip-on available (in 3 sizes)
a525 00 a638 grey-green polarized






polarized

drilling coordinates
Bohrkoordinaten
cotes de perçage



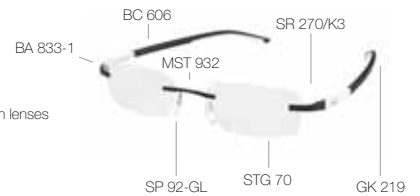


a638 50 6055 black/white

| | small (lens former only) | medium | large (lens former only) |
|---|---------------------------------|---------------------------------|---------------------------------|
|  mm | 50 x 29 (1271 mm ²) | 52 x 30 (1374 mm ²) | 54 x 31 (1482 mm ²) |
|  mm | 53 | 55 | 57 |
|  mm | | 20 | |
|  mm | | 150 | |
|  ° | | 2 x 8 | |

spare parts a638

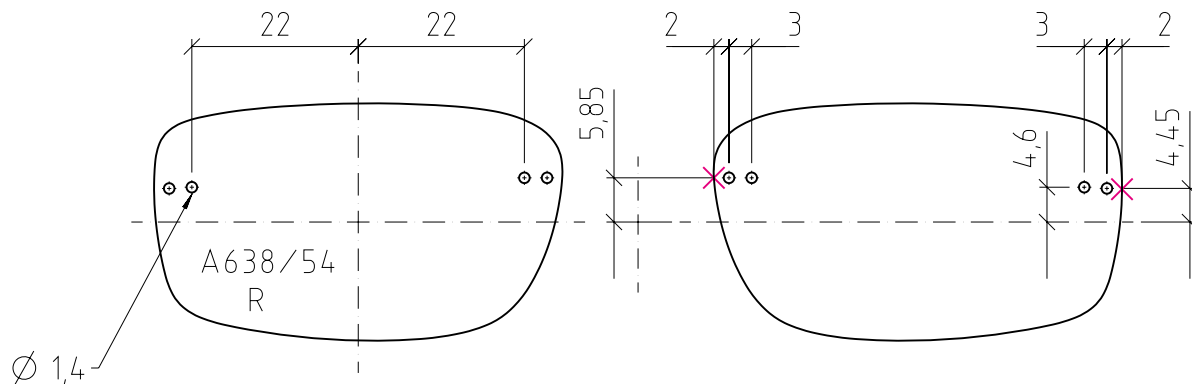
- BC 606 temple
- GK 219 temple tips
- SR 270/K3 temple joint screw
- SP 92-GL nose pads
- STG 70 showing lens 5 base
- BLS 58 glazing pins for prescription lenses
- MST 932 metal nose part
- PL 13 adidas cleaning cloth
- SHE 215 Hardcase ambition 5 base
- FK 78-3 box
- BA 833-1 lug



clip-on available (in 3 sizes)
a525 00 a638 grey-green polarized

polarized

drilling coordinates
Bohrkoordinaten
cotes de perçage





a639 40 6051 ivory/mint

| | small (lens former only) | large |
|--|------------------------------------|---------------------------------|
| | mm 50 x 28 (1182 mm ²) | 52 x 29 (1278 mm ²) |
| | mm 53 | 55 |
| | mm 18 | 18 |
| | mm 140 | 140 |
| | ° 2 x 8 | 2 x 8 |

spare parts a639

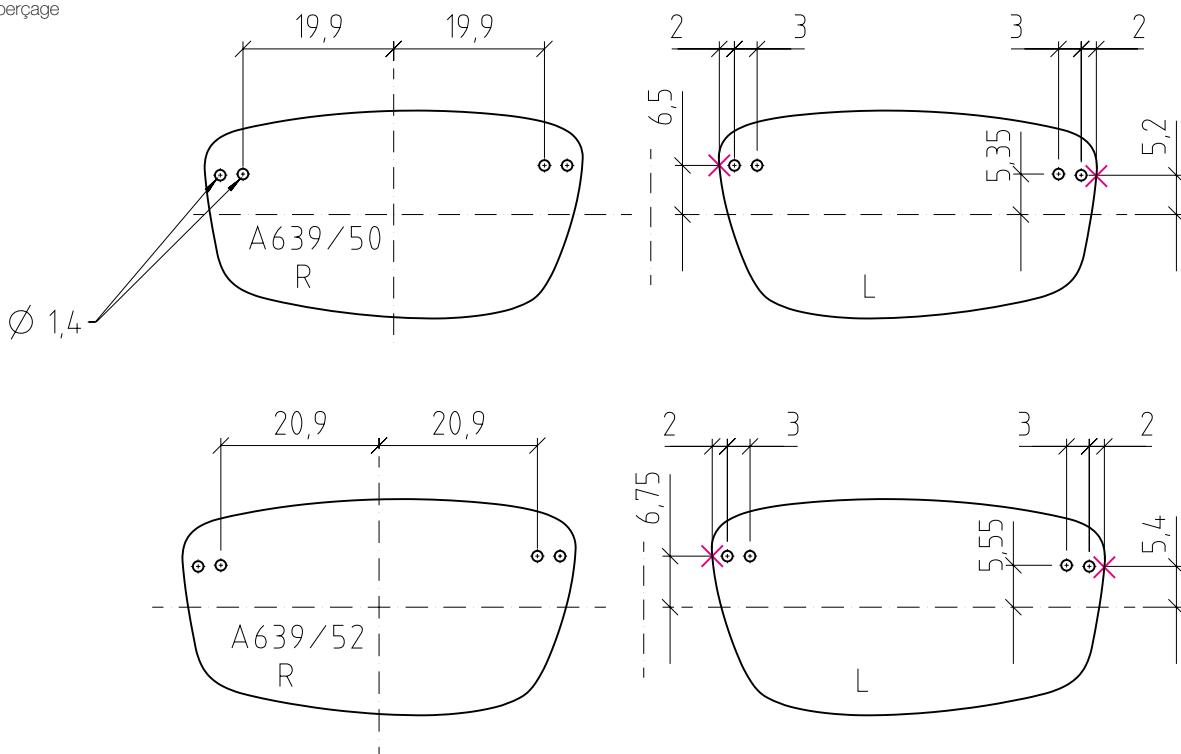
- BC 606 temple
- GK 219 temple tips
- SR 270/K3 temple joint screw
- SP 92-GL nose pads
- STG 70 showing lens 5 base
- BLS 58 glazing pins for prescription lenses
- MST 932 metal nose part
- PL 13 adidas cleaning cloth
- SHE 215 Hardcase ambition 5 base
- FK 78-3 box
- BA 833-1 lug



clip-on available (both sizes)
a525 00 a639 grey-green polarized






polarized

drilling coordinates
Bohrkoordinaten
cotes de perçage



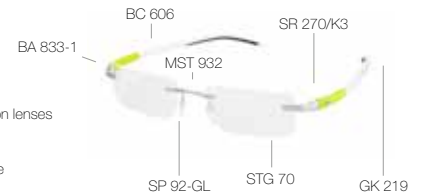


a640 00 6050 rhodium/lime

| | small | large (lens former only) |
|---|---------------------------------|---------------------------------|
|  mm | 49 x 27 (1193 mm ²) | 51 x 28 (1293 mm ²) |
|  mm | 53 | 55 |
|  mm | 18 | |
|  mm | 140 | |
|  ° | 2 x 8 | |

spare parts a640

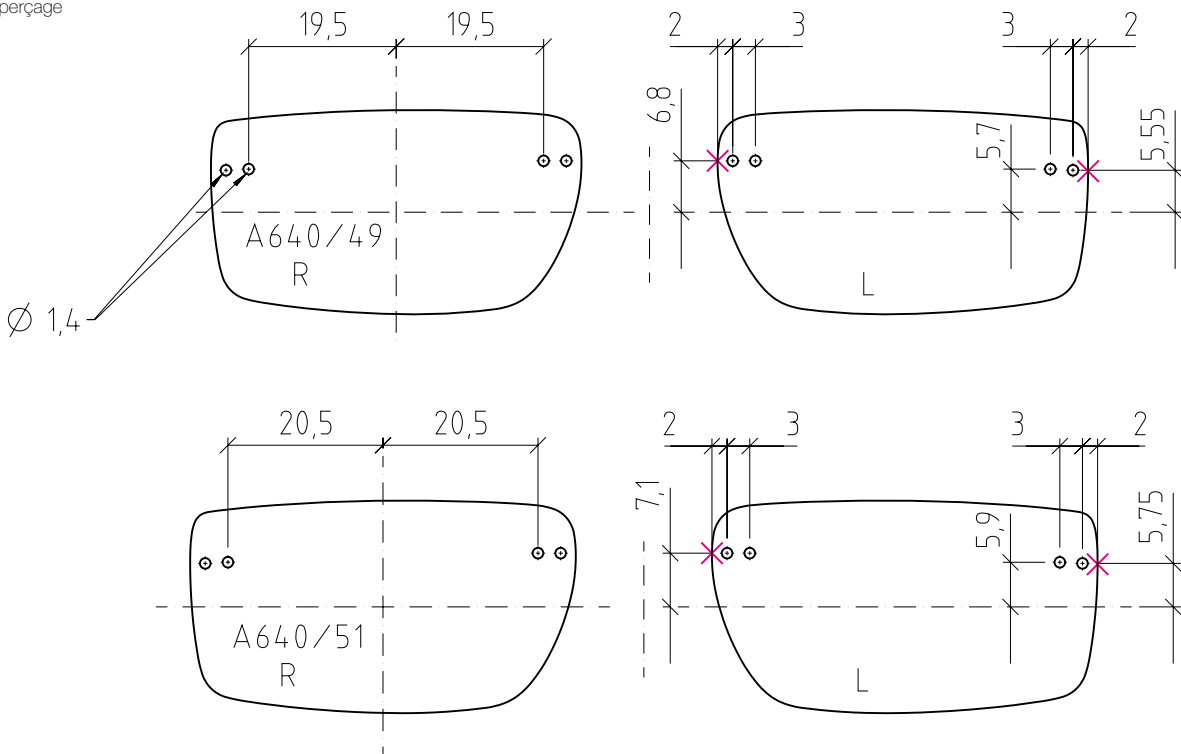
- BC 606 temple
- GK 219 temple tips
- SR 270/K3 temple joint screw
- SP 92-GL nose pads
- STG 70 showing lens 5 base
- BLS 58 glazing pins for prescription lenses
- MST 932 metal nose part
- PL 13 adidas cleaning cloth
- SHE 215 Hardcase ambition 5 base
- FK 78-3 box
- BA 833-1 lug



clip-on available (both sizes)
a525 00 a640 grey-green polarized






polarized

drilling coordinates
Bohrkoordinaten
cotes de perçage





a641 40 6053 chocolate/chocolate

| | small (lens former only) | large |
|---|---------------------------------|---------------------------------|
|  mm | 51 x 32 (1351 mm ²) | 53 x 33 (1459 mm ²) |
|  mm | 53 | 55 |
|  mm | | 18 |
|  mm | | 140 |
|  ° | | 2 x 8 |

spare parts a641

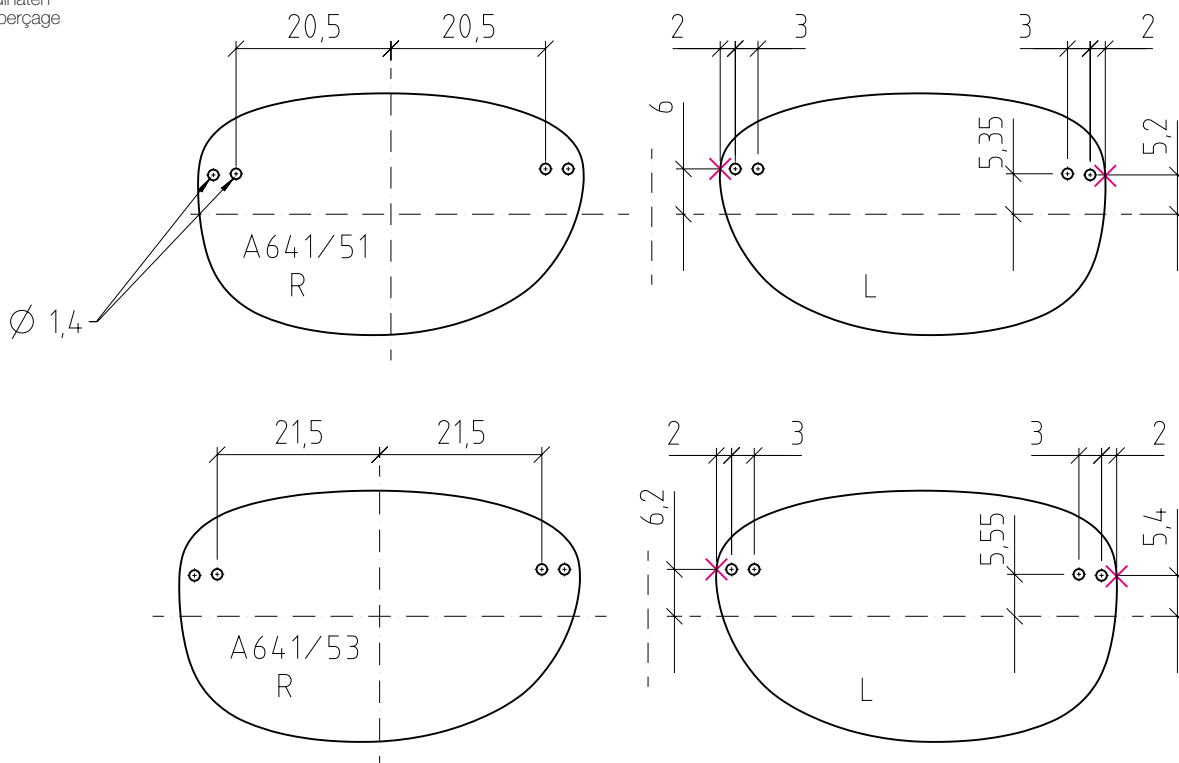
- BC 606 temple
- GK 219 temple tips
- SR 270/K3 temple joint screw
- SP 92-GL nose pads
- STG 70 showing lens 5 base
- BLS 58 glazing pins for prescription lenses
- MST 932 metal nose part
- PL 13 adidas cleaning cloth
- SHE 215 Hardcase ambition 5 base
- FK 78-3 box
- BA 833-1 lug



clip-on available (both sizes)
a525 00 a641 grey-green polarized

polarized

drilling coordinates
Bohrkoordinaten
cotes de perçage





a642 60 6057 ruthenium/blue

| | small (lens former only) | medium | large (lens former only) |
|----|---------------------------------|---------------------------------|---------------------------------|
| mm | 49 x 28 (1191 mm ²) | 51 x 29 (1290 mm ²) | 53 x 30 (1393 mm ²) |
| mm | 51 | 53 | 56 |
| mm | | 18 | |
| mm | | 140 | |
| ° | | 2 x 8 | |

spare parts a642

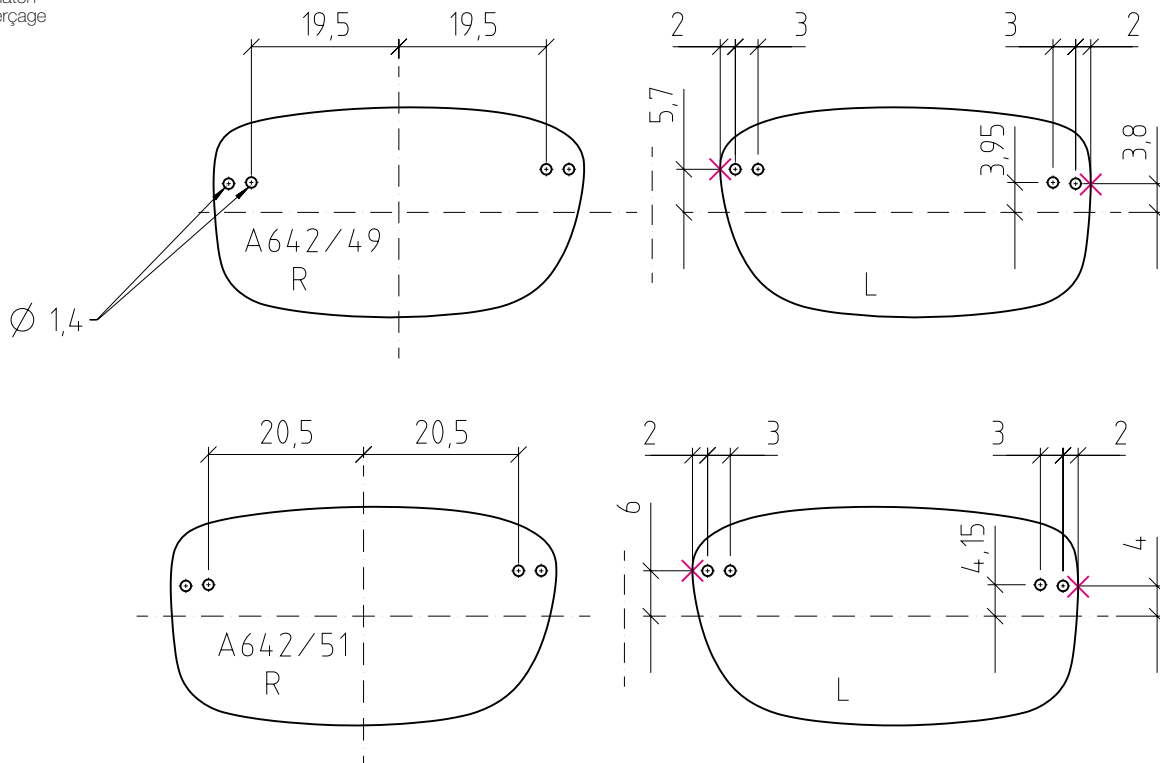
- BC 606 temple
- GK 219 temple tips
- SR 270/K3 temple joint screw
- SP 92-GL nose pads
- STG 70 showing lens 5 base
- BLS 58 glazing pins for prescription lenses
- MST 932 metal nose part
- PL 13 adidas cleaning cloth
- SHE 215 Hardcase ambition 5 base
- FK 78-3 box
- BA 833-1 lug



clip-on available (in 3 sizes)
a525 00 a642 grey-green polarized






polarized

drilling coordinates
Bohrkoordinaten
cotes de perçage





a642 60 6057 ruthenium/blue

| | small (lens former only) | medium | large (lens former only) |
|---|---------------------------------|---------------------------------|---------------------------------|
|  mm | 49 x 28 (1191 mm ²) | 51 x 29 (1290 mm ²) | 53 x 30 (1393 mm ²) |
|  mm | 51 | 53 | 56 |
|  mm | | 18 | |
|  mm | | 140 | |
|  ° | | 2 x 8 | |

spare parts a642

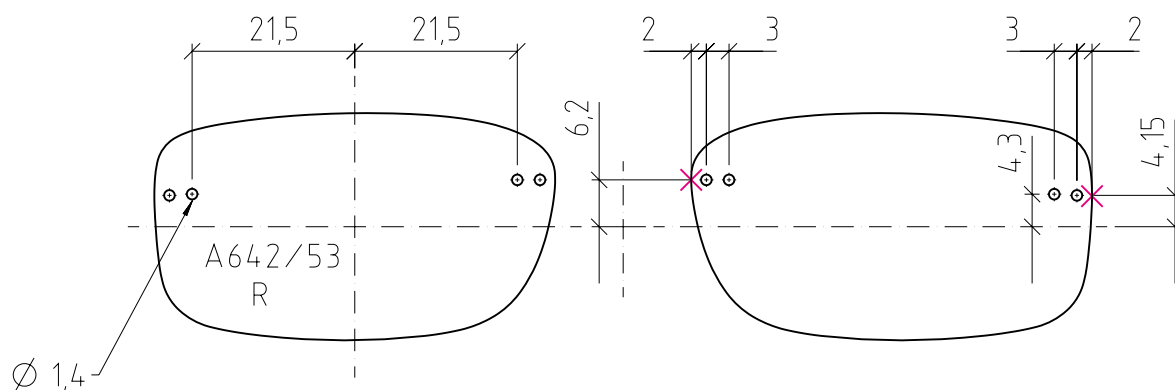
BC 606 temple
 GK 219 temple tips
 SR 270/K3 temple joint screw
 SP 92-GL nose pads
 STG 70 showing lens 5 base
 BLS 58 glazing pins for prescription lenses
 MST 932 metal nose part
 PL 13 adidas cleaning cloth
 SHE 215 Hardcase ambition 5 base
 FK 78-3 box
 BA 833-1 lug



clip-on available (in 3 sizes)
 a525 00 a642 grey-green polarized

polarized

drilling coordinates
 Bohrkoordinaten
 cotes de perçage



support your vision

Silhouette International Schmied AG

adidas Global Licensee
Ellbogner Straße 24 / A-4021 Linz
Tel. +43/732/371117
Fax +43/732/371114
office@adidas-ep.com

adidas.com/eyewear